



## SUMMARY REPORT

April 1, 2015 – March 31, 2016

### Officers and Board of Directors:

Dr. Cincin Young, *Executive Director*  
Dr. Meneleo Navarro, *President*  
Dr. Dulce Dawang, *VP & Treasurer*  
Dr. Lesley Lubos, *Secretary*  
Danilo Gualberto, *Technical Director*  
Jessie Co, *Project Coordinator*  
Tito Alex Besinga, *Chair, Dengue Mosquito Control Task Force*  
John Gualberto, *Administrative Asst.*

### Chapter Heads:

Dr. Lesley Lubos, *Misamis Oriental*  
Ms. Marjie Jalandoni, *Leyte*  
Mrs. Julie Ko, *Cebu*  
Mr. Resty Ramos, *Laguna*  
Dr. Lalevie Lubos, *Bukidnon*

Website: [www.mdfa.shutterfly.com](http://www.mdfa.shutterfly.com)  
Nonprofit NGO registered in the Philippines (SEC #CN201030349);  
a Program of Sahaya International  
[www.sahaya.org](http://www.sahaya.org)

### Mailing address:

c/o Biology Department  
Xavier University, Corrales Avenue  
Cagayan de Oro City 9000  
Philippines

**Contact Person:** Dr. Cincin Young  
2103 Whittier Drive, Davis CA 95618  
[cinciny2001@yahoo.com](mailto:cinciny2001@yahoo.com)



---

# MISAMIS ORIENTAL CHAPTER

---

Misamis Oriental Chapter is the mother chapter of MDFA. Officers and Board of Directors reside in Cagayan de Oro City (CDO), the capitol of Misamis Oriental (Mis. Or.) Province. The main players of 2015 MDFA activities in Misamis Oriental are:



Dr. Lesley Lubos



Dr. Loloï Navarro



Mr. Danny Gualberto



Mr. John Gualberto

**Dr. Lesley Lubos** is the MDFA Secretary and Head of Mis. Or. Chapter. He is a Biology professor at the Liceo de Cagayan University and president of the Biology Teachers Association Cagayan de Oro Chapter. He is also actively involved with activities of Liceo Mindanao Center for Biodiversity and Conservation, Research and Publication Office and Liceo Center for Community.

**Dr. Meneleo “Loloï” Navarro** is the President and Co-founder of MDFA. He is the Director of the San Ignacio Fundacion de Salud Inc. In spite of his busy campaign for city councilor, he still maintains his weekly 1-hour radio talk show “Aray ko Dok” in which he devotes at least 10 minutes advocating dengue prevention and awareness. He is also negotiating with a manufacturer to sponsor the production of the modified autocidal ovitrap (Appendix A).

**Mr. Danilo Gualberto** is the MDFA Technical Director and a faculty member of the Biology Department at Xavier University. He was on study leave for the school year 2015-2016 to finish his Master’s degree and graduated last January 2016. He designed the autocidal ovitrap (Appendix A) modified from what he had learned in Singapore while on training for dengue mosquito surveillance and monitoring.

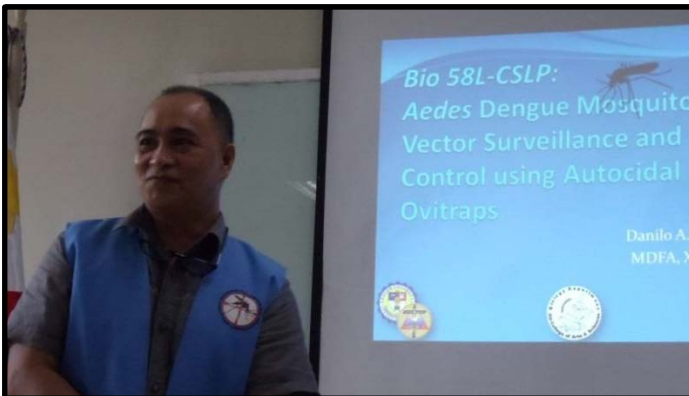
**Mr. John Gualberto** is the MDFA Administrative Officer and assists the Chapter Head and other MDFA Officers in various activities.



# ACTIVITIES



April 24, 2015: Dr. Lubos and Mr. J. Gualberto at the dengue-prevention seminar for students of the College of Nursing and College of Pharmacy, Liceo de Cagayan University



August 17, 2015: Mr. D. Gualberto and Dr. Lubos speaking at the Research and Community Capability Building about the Thrust of MDFA and XU Practices in the community of CDO

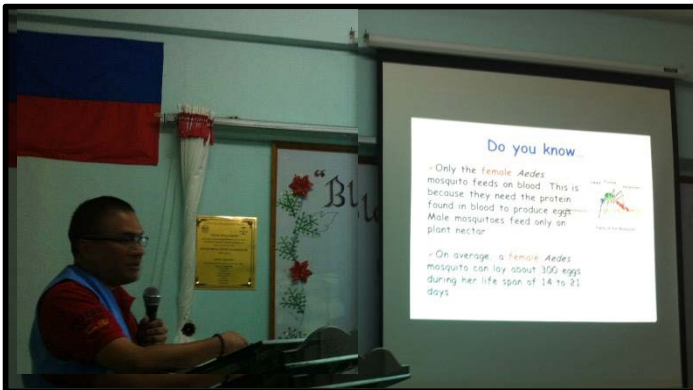


August 24-25, 2015: Mr. D. Gualberto and J. Gualberto searched for *Aedes albopictus* and *A. aegypti* in used tires. Results showed that compared to 2006 findings, *A. albopictus* had become a rare find and that *A. aegypti* had dominated the mosquito populations in CDO.





October 28, 2015: signing of memorandum of Agreement initiated by Dr. Lubos for “Mosquito Dengue Awareness Program”, a collaboration involving MDFA, the Research and Publication Office of Liceo Center for Community Development of Liceo de Cagayan University, and the Local Government Units of CDO



January 13, 2016: Dr. Lubos presentation to about 50 residents of Barangay Kauswagan



January 20, 2016: Dr. Lubos and Mr. J. Gualberto presentation to about 250 preschool and grade school students and parents at Liceo de Cagayan University





March 14, 2016: Dr. Lubos presentation to 33 residents of Barangay Balulang



March 18, 2016: Dr. Lubos presentation to 26 residents of Barangay Carmen

## OTHER CHAPTERS



**Mrs. Julie Ko**  
**CEBU**

Mrs. Ko has been the Cebu Chapter Head since 2011. She had been one of the most active MDFA Chapter Heads. However, during this last report period, there were circumstances beyond her control that took all her time.



**Mr. Resty Ramos**  
**Laguna**

Laguna Chapter has been established in June 2015 with Mr. Ramos as the Chapter Head. However, typhoons had occurred in Laguna and Mr. Ramos had been busy dealing with community recoveries.



**Dr. Lalevie Lubos**  
**Bukidnon**

Bukidnon Chapter has been established in October 2015 with Dr. Lubos as the Chapter Head. She is currently organizing a core group for the anti-dengue drive.



# LEYTE CHAPTER

Leyte Chapter has been established since MDFA was founded in 2010 and Ms. Margarita “Marjie” Jalandoni has been the Chapter Head ever since. She is one of the most active Chapter Heads of MDFA.



**Ms. Marjie Jalandoni**  
**LEYTE**



April 18, 2015: showing of MDFA videos to HOLD (Handmaid of the Lord) members at a HOLD meeting



May 1, 2015: proposed for MDFA-Leyte to participate in the Coop for Christ Leyte Multi-Purpose Cooperative's (Co-FC-LMPC) Social Development Activities for 2015 on Community Environment and Health Care



June 18-19, 2015: trip to Laguna to establish a MDFA Laguna Chapter with Mr. Restituto “Resty” Ramos and Engr. Cristina Baltazar





July 15, 2015: presentation to Marketing students as part of the CoFC-LMPC Community Development Program and Philippine Cooperative Centennial Celebration



August 8, 2015: presentation at Purok 2, Bagong Buhay in Ormoc City



September 11, 2015: showing videos at the CCDC (City Cooperative Development Council) meeting



September 26, 2015: presentation at the Glodal Day of Service at ANCOP (Answering the Cry of the Poor) Homes in San Agustin, Palo, Leyte with CoFC-LMPC Board & Staff and Samahan (Beneficiaries)





October 1, 2015: presentation at the 100<sup>th</sup> year CoFC-LMPC at Lingap Center, Ormoc



October 28, 2015: presentation at the Puraville Subdivision Chapel to homeowners



October 29, 2015: presentation at PMPC (Partners Multi-purpose Cooperative) in Tongonan, Kanga, Leyte



December 4, 2015: presentation to members of the Parish Youth Ministry at St. Paul and Peter Parish Church, Ormoc City



December 12, 2015: presentation to residents of Brgy Villahermosa, Tudela, Camotes Island



December 13, 2015: presentation to parishioners of Villahermosa Chapel (AM) and to members of HOLD (PM) at Barangay Villahermosa







December 15, 2015: presentation to Grades 7 and 8 (AM), 9 and 10 (PM) students of Tudela National High School (TNHS) in Camotes Island



December 16, 2015: presentation to students at Tudela Elementary School, Camotes Island



February 28, 2015: presentation in Brgy. Liloan, Ormoc City



March 20, 2016: presentation at Holy Spirit Parish Church in Baybay City, Leyte



March 21, 2016: presentation at Birhen dela Paz New Chapel in Brgy. Tambulilid, Ormoc



# FUNDRAISING

September 19, 2015: a fundraising garage sale for MDFA was held in Davis, California, at Dr. Cincin Young's residence. We thank the many Filipino friends and members of Sahaya International who helped by donating cash and/or items for sale, assisting in the set-up and clean up, assisting as sales persons, buying items and/or providing food and drinks.



Dr. Koen Van Rompay, Sahaya Founder and Secretary/Treasurer, also helped.



---

# APPENDIX A

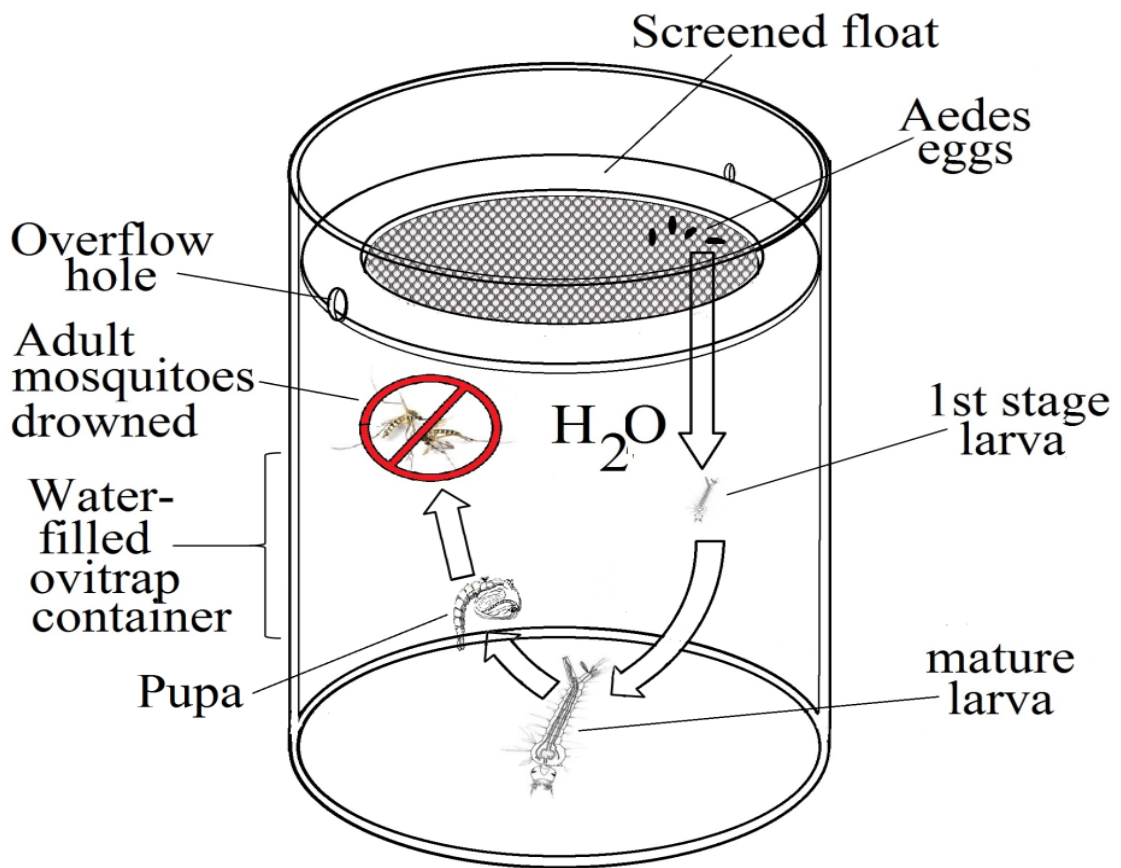
---



## THE IMPORTANCE OF AUTOCIDAL OVITRAPS IN REDUCING MOSQUITO POPULATIONS

Danilo Gualberto and Cincin Young  
**Mosquito-Dengue Fighters Association**

In order to reduce the population of mosquitoes, it is important to target the weakest link in the mosquito life cycle. Adult mosquitoes are difficult to exterminate as they are flying around or hide in many dark places. The mosquito eggs are also hard to exterminate because they are tiny and dark in color and they can be laid anywhere. Additionally, the eggs of *Aedes* mosquitoes (dengue-carriers) can survive for a year in dry state. The weakest link in the life cycle of a mosquito is the larval state because the larvae need water to survive and removing the water source will kill the larvae. This is why it is important to remove any open containers that will hold water during rainy season and become mosquito breeding grounds. However, this is not enough as eggs can survive in dry state and there can be millions of eggs waiting for the rainy season. As soon as the rainy season starts, these millions of eggs can hatch in a week or two and will be potential carriers of dengue and other mosquito-borne diseases. This is why it is important to trap the eggs of the mosquitoes and kill the developed adults from the eggs.

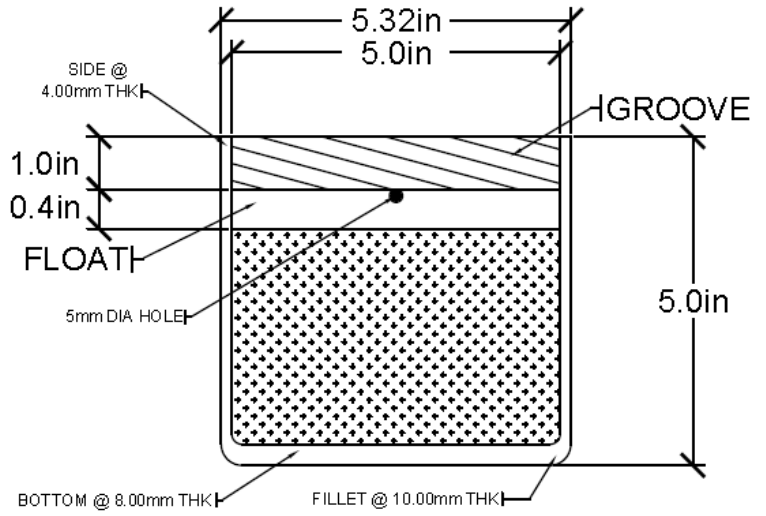
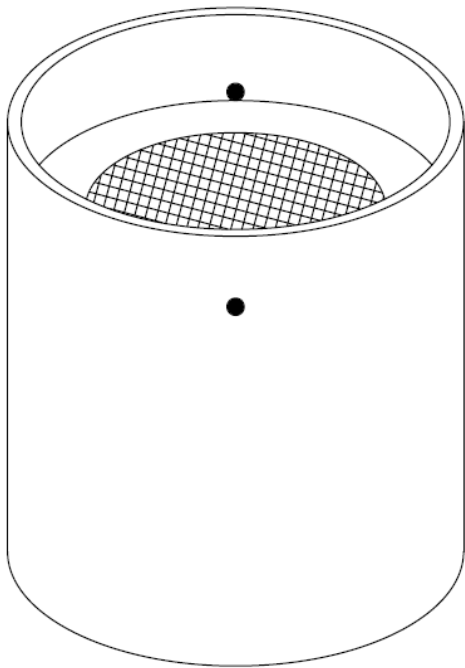


## autocidal ovitrap

The autocidal ovitraps are designed to attract the mosquitoes to lay their eggs in the traps. Once eggs are laid in the ovitrap, the eggs hatch and the tiny 1st stage larvae free-fall through the screen and dive into the water to develop as larvae, then into pupae. After a week or two when the pupae are just about to turn into adults, their process of hatching into adults will be interrupted because the screened float through which they initially entered the ovitrap will become the barrier that prevents them from emerging as adult mosquitoes. The mosquitoes will therefore technically drown and die inside the ovitrap. Because the autocidal ovitrap is designed with a screen, the adult mosquitoes are trapped inside and will die by drowning. If we have a hundred ovitraps set at strategic locations in one community area (e.g., a housing compound), these can significantly reduce the mosquito population in that particular area.

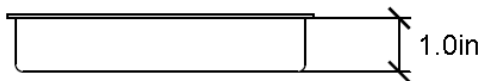
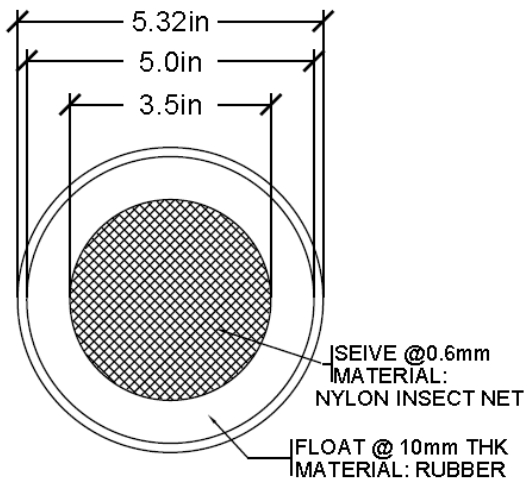


# MODIFIED AUTOCIDAL OVITRAP

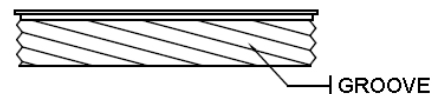
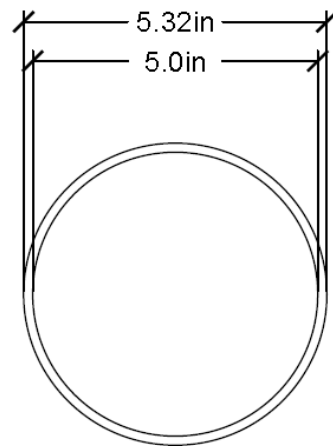


LONGITUDINAL SECTION  
SCALE 1:100

PERSPECTIVE  
NOT DRAWN TO SCALE



FLOAT DETAIL  
SCALE 1:100



LOCK DETAIL  
SCALE 1:100

The **advantages** of autocidal ovitraps are:

- 1 – It requires no chemical pesticide; only water. It is therefore environmentally-friendly to use in the households.
  - 2 – Because no insecticide is necessary, the ovitrap usage does not promote mutation and insecticide-resistance to the mosquito population.
  - 3 – Unlike other methods of dengue mosquito surveillance and control methods, the use of the autocidal ovitrap requires very low maintenance. So it can be used for unlimited periods of time, for as long as the water in it is maintained.
  - 4 –It is also very useful for monitoring the dengue mosquito population in the locality, especially when the community needs to assess the effectivity of their clean-up drive activities.
  - 5 – Coupled with GIS, it can be a useful city-wide or barangay-wide system of dengue mosquito monitoring and control.
-